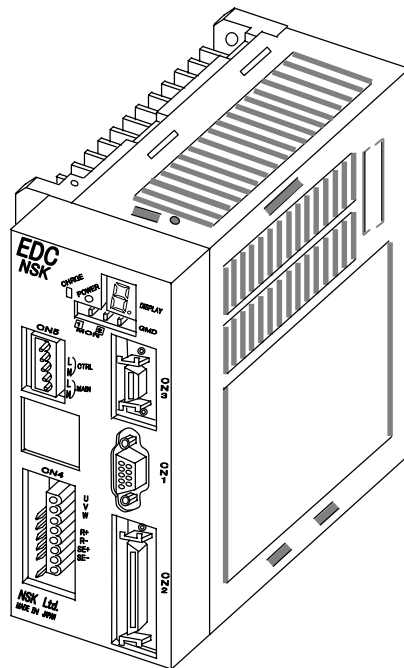


NSK

Megatorque[®] Motor System User's Manual (Supplement to the EDC Driver Unit System)



NSK Ltd.

Document Number: C20169-03

EC-T

Limited Warranty

NSK Ltd. warrants its products to be free from defects in material and/or workmanship which NSK Ltd. is notified of in writing within, which comes first, one (1) year of shipment or 2400 total operation hours. NSK Ltd., at its option, and with transportation charges prepaid by the claimant, will repair or replace any product which has been proved to the satisfaction of NSK Ltd. to have a defect in material and/or workmanship.

This warranty is the sole and exclusive remedy available, and under no circumstances shall NSK Ltd. be liable for any consequential damages, loss of profits and/or personal injury as a result of claim arising under this limited warranty. NSK Ltd. makes no other warranty express or implied, and disclaims any warranties for fitness for a particular purpose or merchantability.

Copyright 2009 by NSK Ltd., Tokyo, Japan

All rights reserved.

No part of this publication may be reproduced in any form or by any means without permission in writing from NSK Ltd.

NSK Ltd. reserves the right to make changes to any products herein to improve reliability, function or design without prior notice and without any obligation.

NSK Ltd. does not assume any liability arising out of the Application or use of any product described herein; neither does it convey any license under its present patent nor the rights of others.

Patents issued and patents pending.

“MEGATORQUE” is a registered trademark of NSK Ltd. in Japan and that of NSK Corp. in the United States of America.


Contents

1. Introduction -----	1-1
1.1. Precautions for Use -----	1-1
2. Reference Number and Coding -----	2-1
2.1. PN Series Megatorque Motor -----	2-1
2.2. EDC Driver Unit for PN Series Megatorque Motor -----	2-1
2.3. Cable Set -----	2-3
2.4. HandyTerminal -----	2-3
3. Name of Each Part -----	3-1
4. Combination of Motor and Driver Unit -----	4-1
5. Motor Specifications -----	5-1
6. External Dimensions -----	6-1
6.1. PN Series Megatorque Motor -----	6-1
6.2. Driver Unit -----	6-2
7. Driver Unit Specifications -----	7-1
8. Installation -----	8-1
8.1. Environmental Conditions of Motor -----	8-1
8.2. Coupling Load to the Motor -----	8-1
8.3. Confirmations of Use Conditios -----	8-2
Appendix 1: How to Check Motor Condition -----	A-1


1. Introduction

- This is the supplementary of the instruction manual “EDC Driver Unit System (Document Number: C20158).” This supplement describes the Megatorque Motor System composed of the EDC Driver Unit and the PN series Megatorque Motor. Please refer to the above mentioned instruction manual (Document No.C20158) for items not described in this document.

1.1. Precautions for Use

 **Warning :** *Be sure not to activate the dynamic brake in the following conditions. Otherwise the dynamic brake circuit may break and the Motor will enter in a “free run” state, leading to possible injuries.*

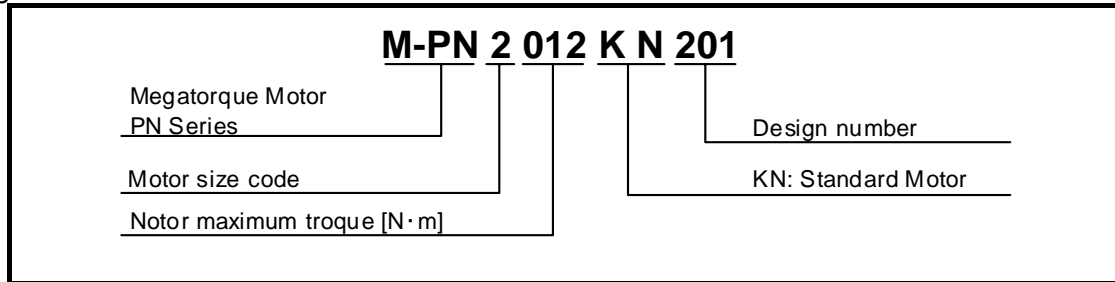
- ◇ Do not activate the dynamic brake in normal operations. Stop the Motor by a control command, not by the dynamic brake. The dynamic brake is an auxiliary function to stop the Motor immediately in an emergency. In the middle of operation, an alarm, a warning or the “Emergency stop” input activates the dynamic brake.
 - Warnings that initiate “Servo-off” state are “A3” (Software thermal), “C0” (Position command/Feedback error), “C5” (Field bass error), “F5” (Program error), and “F8” (Automatic tuning error).
- ◇ The load inertia to a Motor must be 70 times or less than the Motor inertia (100 times for the PS1, PS3 and PN2 type Motors). In case of an indexing operation, a position command shall be 360 degrees or less, while the maximum speed for continual rotation must be 0.5 sec^{-1} or less.
(However, there may be a possibility to exceed the above limits in some cases. Please consult NSK when you require a close investigation on the limits.)
- ◇ For the PN4180 Motor, be sure to stop the Motor for 20 minutes or longer when you stop it by the dynamic brake.

 **Caution:** *When the Motor is continually accelerating a high inertial load with high acceleration, the system constantly outputs a high torque exceeding the rated torque, and thus likely to activate the warning “A3” (Software thermal). In such a case take a remedy to decrease the load inertia or to lower the speed.*

2. Reference Number and Coding

2. 1. PN Series Megatorque Motor

Fig.2-1: PN Motor



2. 2. EDC Driver Unit for PN Series Megatorque Motor

Fig. 2-3: EDC Driver Unit for PN2012 type Motor

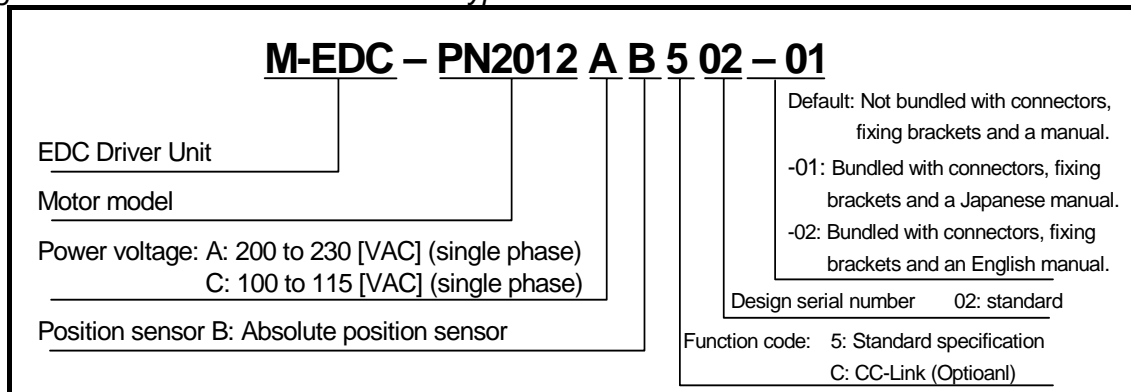


Fig.2-4: EDC Driver Unit for PN3045 types Motor

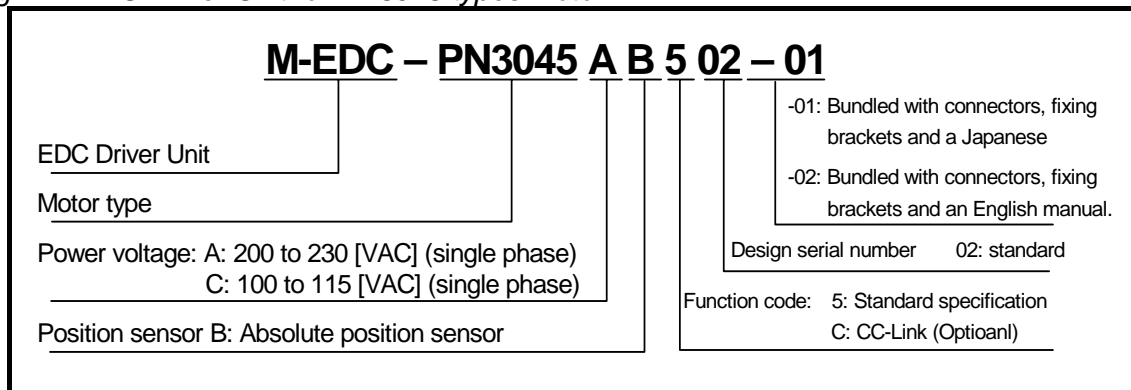
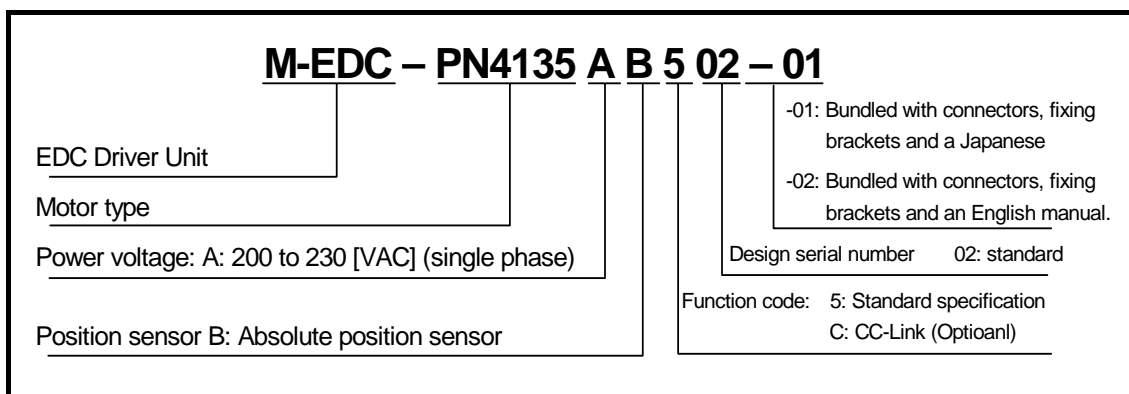
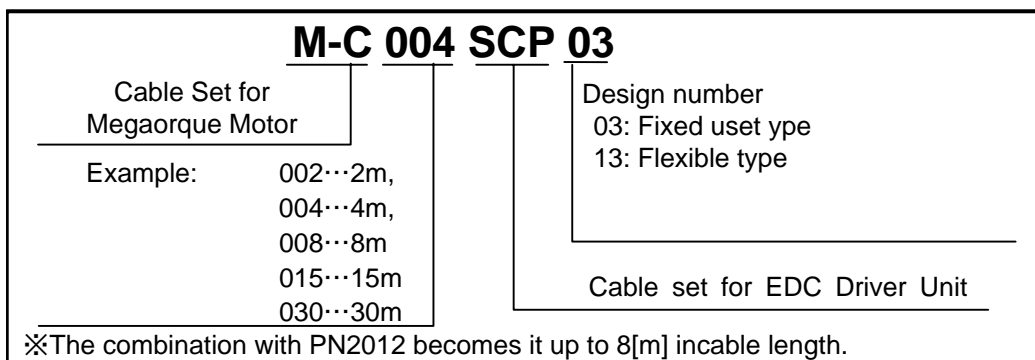


Fig.2-5: EDC Driver Unit for PN4135, and PN4180 types Motor



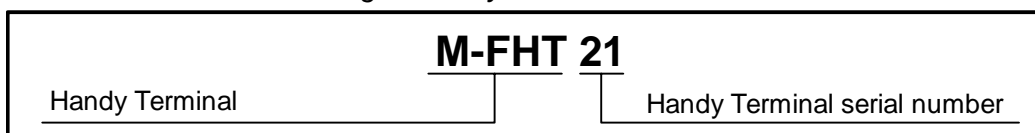
2.3. Cable Set

Fig 2-6: Reference number coding of Cable Set



2.4. Handy Terminal

Fig 2-7: Reference number coding of Handy terminal



3. Name of Each Part

Fig 3-1: PN 2012 type Motor

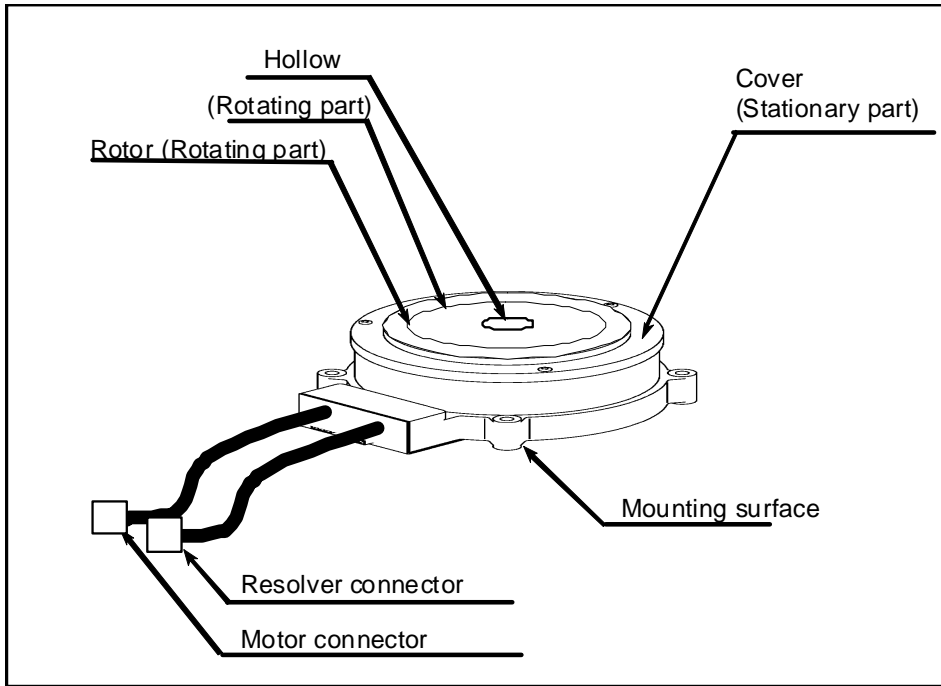
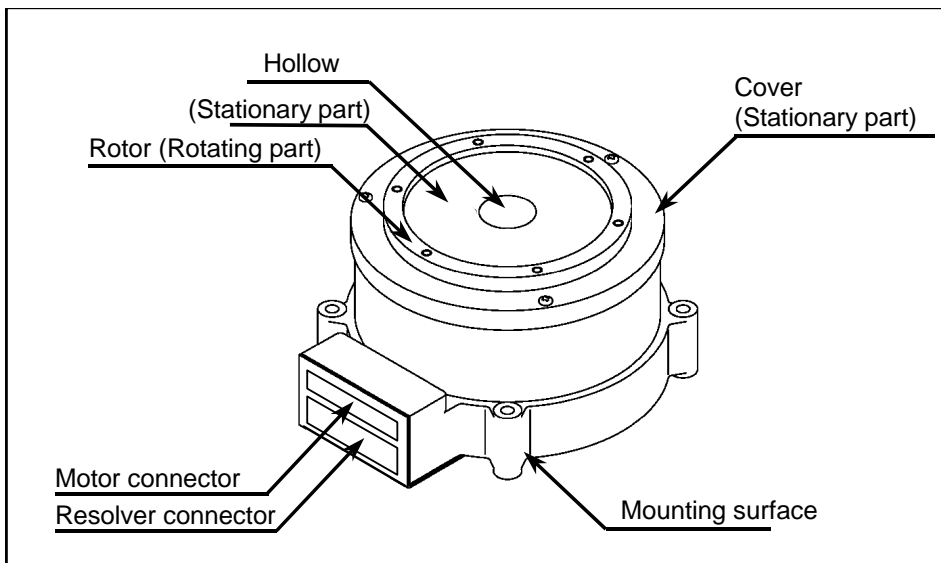


Fig. 3-2: PN3045, 4135, and 4180 type Motor



4. Combination of Motor and Driver Unit

Table4-1: Combination of PN2012 type Motor and Driver Unit

Motor diameter [mm]	Motor reference number	Driver Unit reference number ** : Code for specification of bundled items.	Power voltage [VAC]	Cable reference number	Remarks
ø176	M-PN2012KN201	M-EDC-PN2012AB502-**	200 to 230	M-C0**SCP03 (Fixed type cable)	• Pulse train input
		M-EDC-PN2012CB502-**	100 to 115	M-C0**SCP13 (Flexible type cable)	
		M-EDC-PN2012ABC02-**	200 to 230	** : Cable length in meters 01: 1 [m] 02: 2 [m] 03: 3 [m] 04: 4 [m] 05: 5 [m] 06: 6 [m] 07: 7 [m] 08: 8 [m]	• CC-Link
		M-EDC-PN2012CBC02-**	100 to 115		

Table4-2: Combination of PN3045, PN4135, PN4180 type Motor and Driver Unit

Motor diameter [mm]	Motor reference number	Driver Unit reference number ** : Code for specification of bundled items.	Power voltage [VAC]	Cable reference number	Remarks
ø210	M-PN3045KN001	M-EDC-PN3045AB502-**	200 to 230	M-C0**SCP03 (Fixed type cable)	• Pulse train input
		M-EDC-PN3045CB502-**	100 to 115	M-C0**SCP13 (Flexible type cable)	
		M-EDC-PN3045ABC02-**	200 to 230	** : Cable length in meters 01: 1 [m] 02: 2 [m] 03: 3 [m] 04: 4 [m] 05: 5 [m] 06: 6 [m] 07: 7 [m] 08: 8 [m] 09: 9 [m] 10: 10 [m] 15: 15 [m] 20: 20 [m] 30: 30 [m]	• CC-Link
		M-EDC-PN3045CBC02-**	100 to 115		
ø280	M-PN4135KN001	M-EDC-PN4135AB502-**	200 to 230	08: 8 [m] 09: 9 [m] 10: 10 [m] 15: 15 [m] 20: 20 [m] 30: 30 [m]	• Pulse train input
		M-EDC-PN4135ABC02-**			• CC-Link
	M-PN4180KN001	M-EDC-PN4180AB502-**			• Pulse train input
		M-EDC-PN4180ABC02-**			• CC-Link

5. Motor Specifications

Table 5-1: PN series Megatorque Motor

Reference number		M-PN2012KN201	M-PN3045KN001	M-PN4135KN001	M-PN4180KN001
Item [Unit]					
Motor outside diameter	[mm]	ø176	ø210	ø280	
Maximum output torque	[N•m]	12	45	135	180
Rated output torque	[N•m]	2	15	45	60
Motor height	[mm]	35	85	95	112
Motor hollow diameter	[mm]	36	56	50	50
Maximum velocity	[s ⁻¹]	2	3		
Rated velocity	[s ⁻¹]	1	1		
Resolution of position sensor	[Count/rev.]	2 621 440			
Absolute position accuracy	[arcsec.]	90 *1, *3			
Repeatability	[arcsec.]	±2			
Allowable axial load	[N]	1 000	4500	9500	
Allowable radial load	[N]	20 *2	80	160	200
Rotor inertia	[kg•m ²]	0.0024	0.011	0.057	0.065
Recommended moment load	[kg•m ²]	0.02 to 0.24	0.11 to 0.77	0.57 to 3.99	0.65 to 4.55
Mass	[kg]	3.7	13	26	31
International protection code		IP30 equivalent			
Environmental conditions		Ambient temperature: 0 to 40[°C] Humidity: 20 to 80 [%], In door use only. Free from condensation, dust and corrosive gas.			

• SI Unit System: 1N = 0.102 kgf. 1N•m = 0.102 kgf•m

*1. This accuracy is guaranteed at the temperature of 25 ±5 [°C].

*2. The use condition must clear the recommended moment load and the maximum radial load of 300[N].

*3. The cable length of PN2012 becomes it up to 8[m] .


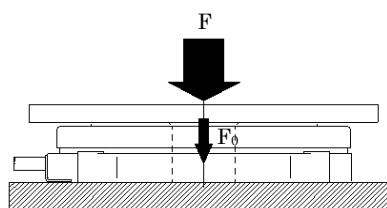
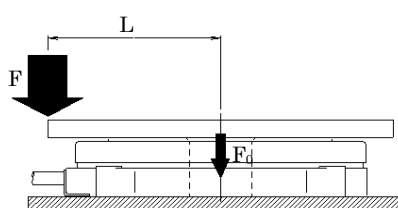
 **Caution** : Axial load F_a and Moment load M shall be less than the limits specified in the above table.

Fig. 5-1: Loads applied to a Motor



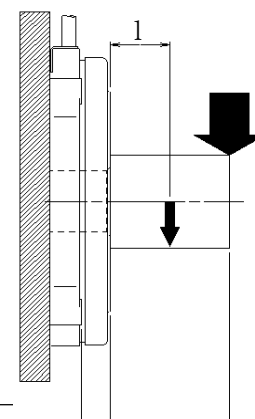
1) When F is an external force

- Axial load: $F_a = F + F_0$
- Moment load: $M = 0$



2) When F is an external force

- Axial load: $F_a = F + F_0$
- Moment load: $M = F \times L$



3) When F is an external vertical load

- Radial force: $F_r = F + F_0$
- Moment load: $M = F \times (L + A) + F_0 \times (L + A)$

Table 5-2 : Dimension A (distance between the bearing and the rotor)

Motor reference number	M-PN2012KN201	M-PN3045KN001	M-PN4135KN001	M-PN4180KN001
A [mm]	16.7	33.8	54.2	54.2

6. External Dimensions

6.1. PN Series Megatorque Motors

- ⚠ **Caution:** Bending radius of the outgoing lines of Motor cable ($\phi 7$) and resolver cable ($\phi 7$) shall be R30 [mm] or less.
- ⚠ **Caution:** Do not use outgoing lines of Motor cable and Resolver cable as a part of the flexible cable.
- ⚠ **Caution:** Do not apply any stress (tension or vibration) to the connecting position of the outgoing lines and a connector. If not, it may result in a disconnection or a loose connection.

Fig. 6-1: PN2012 type Motor

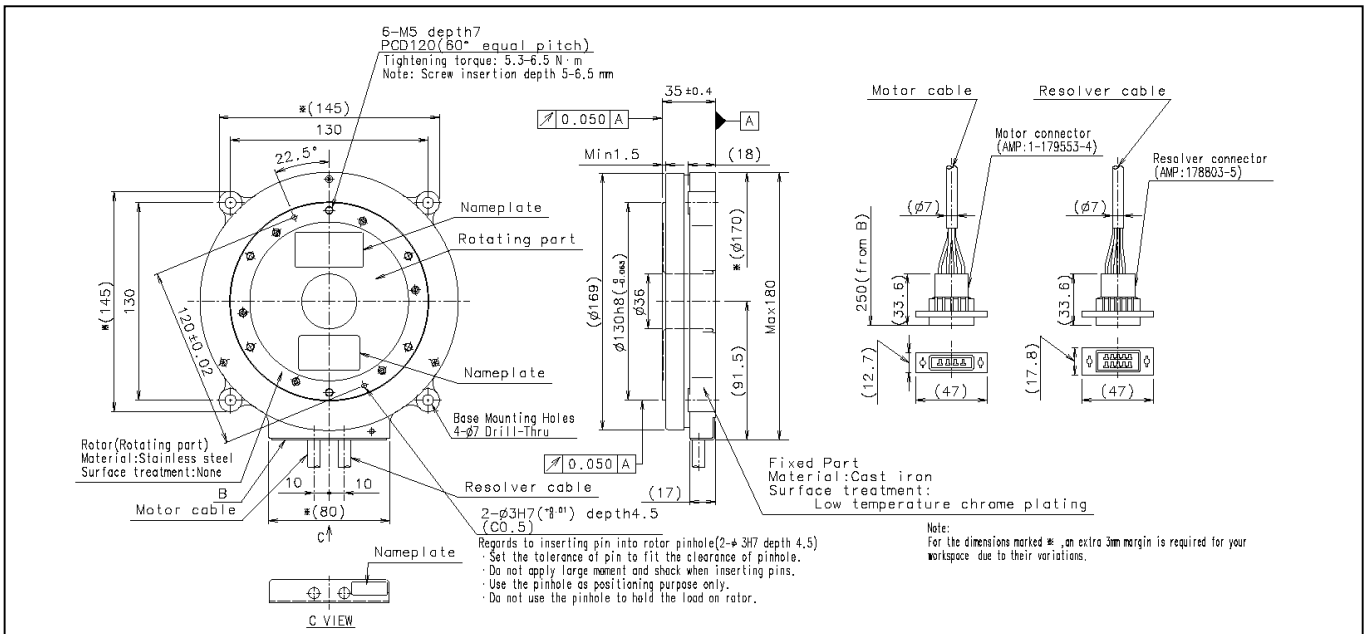


Fig. 6-2: PN3045 type Motor

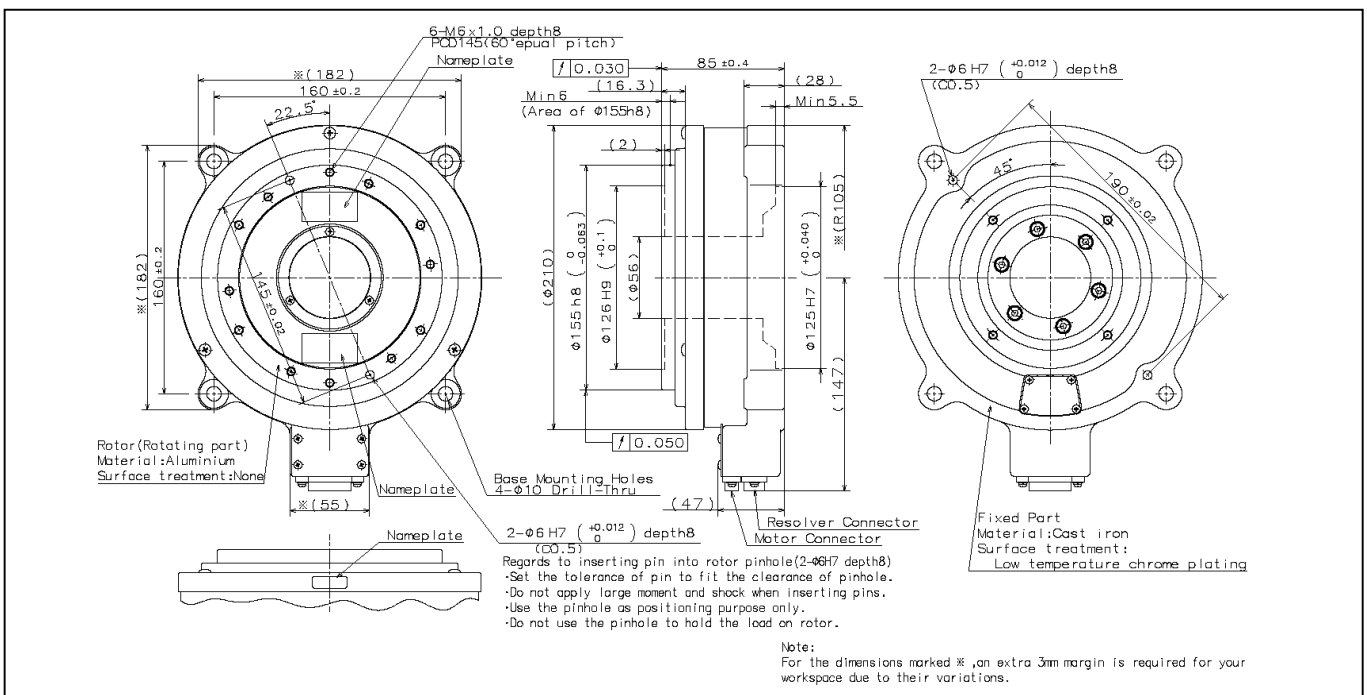


Fig 6-3: PN4135 type Motor

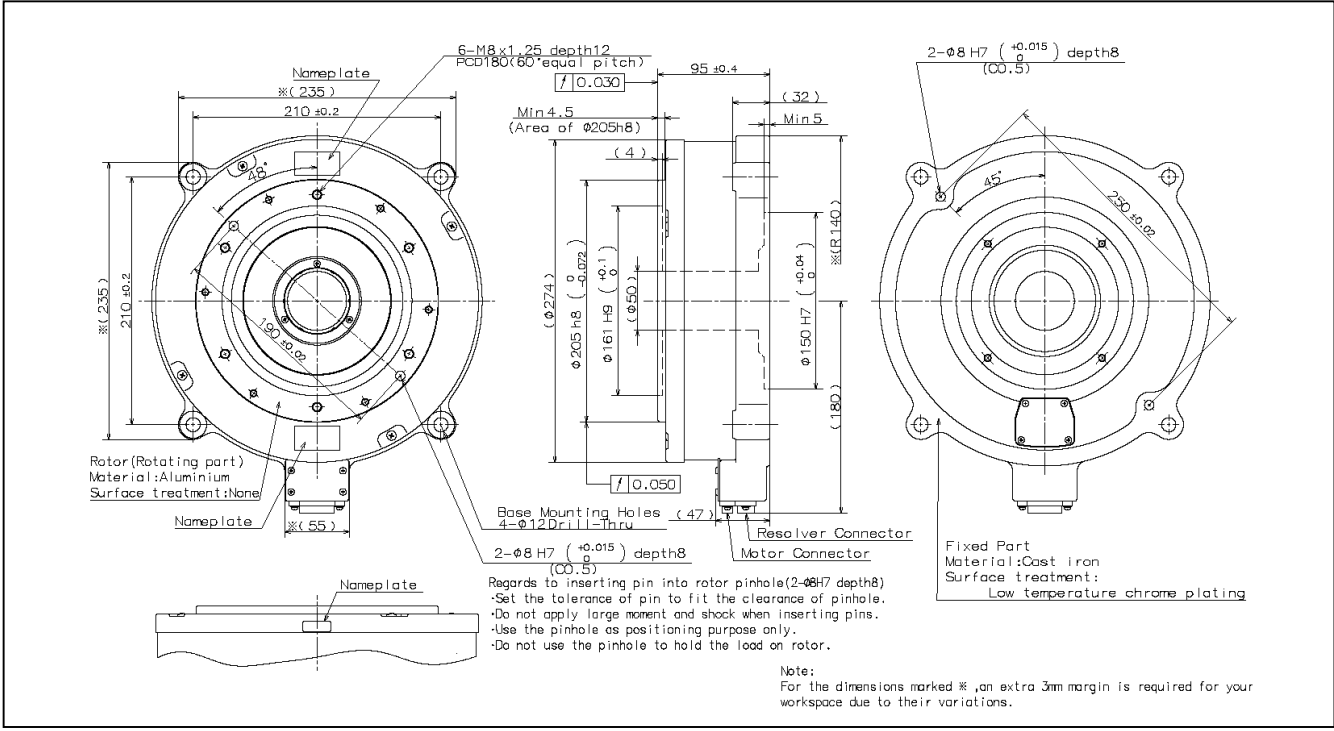
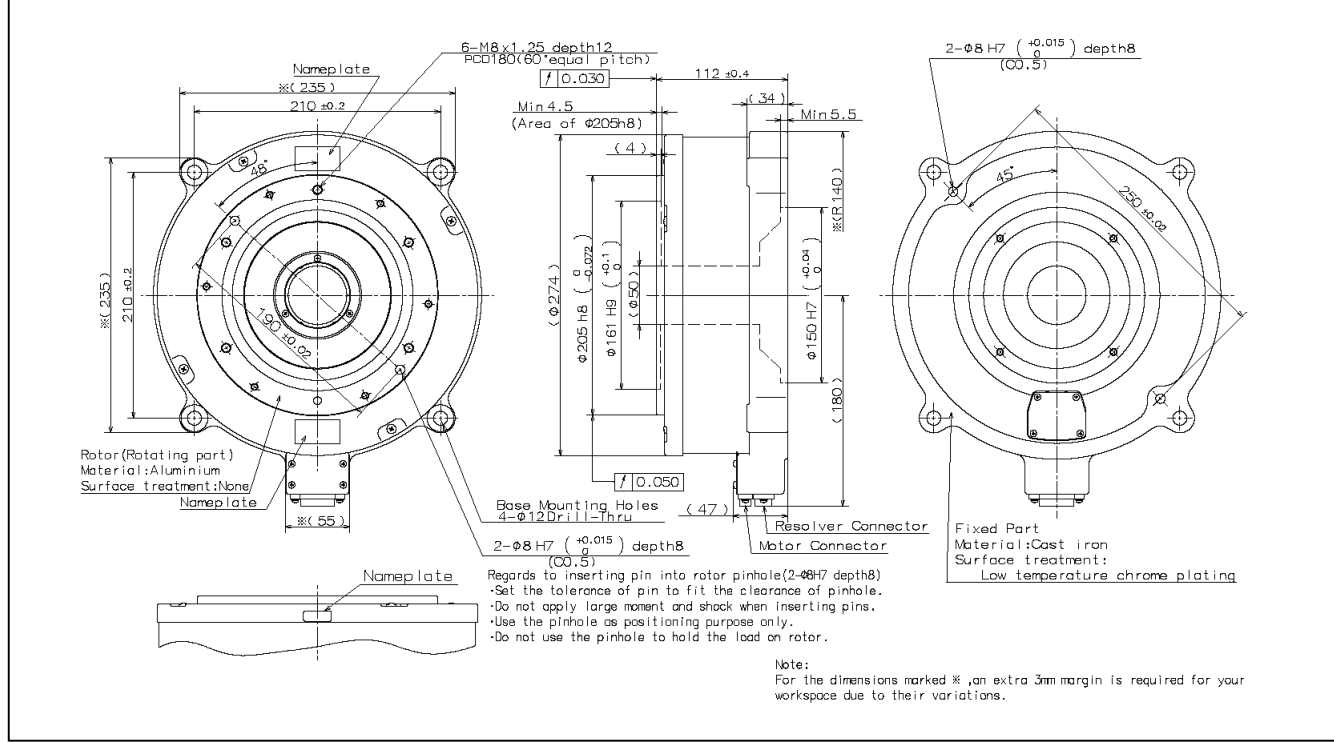


Fig 6-4: PN4180 type Motor



6.2. Driver Unit

Fig.6-5 : EDC Driver Unit for PN2012 type Motor

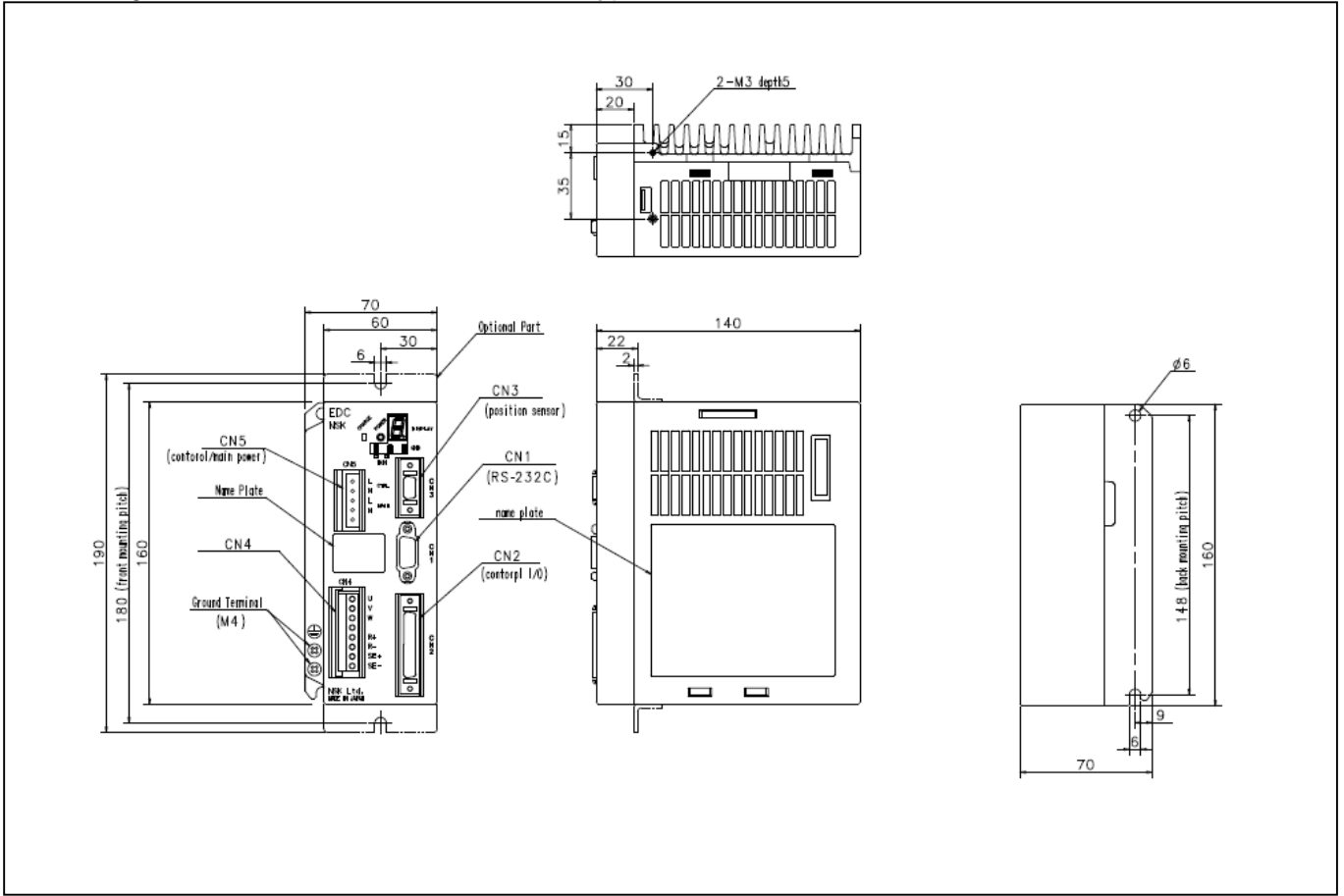


Fig. 6-6: CC-Link Compatible EDC Driver Unit for PN2012 type Motor

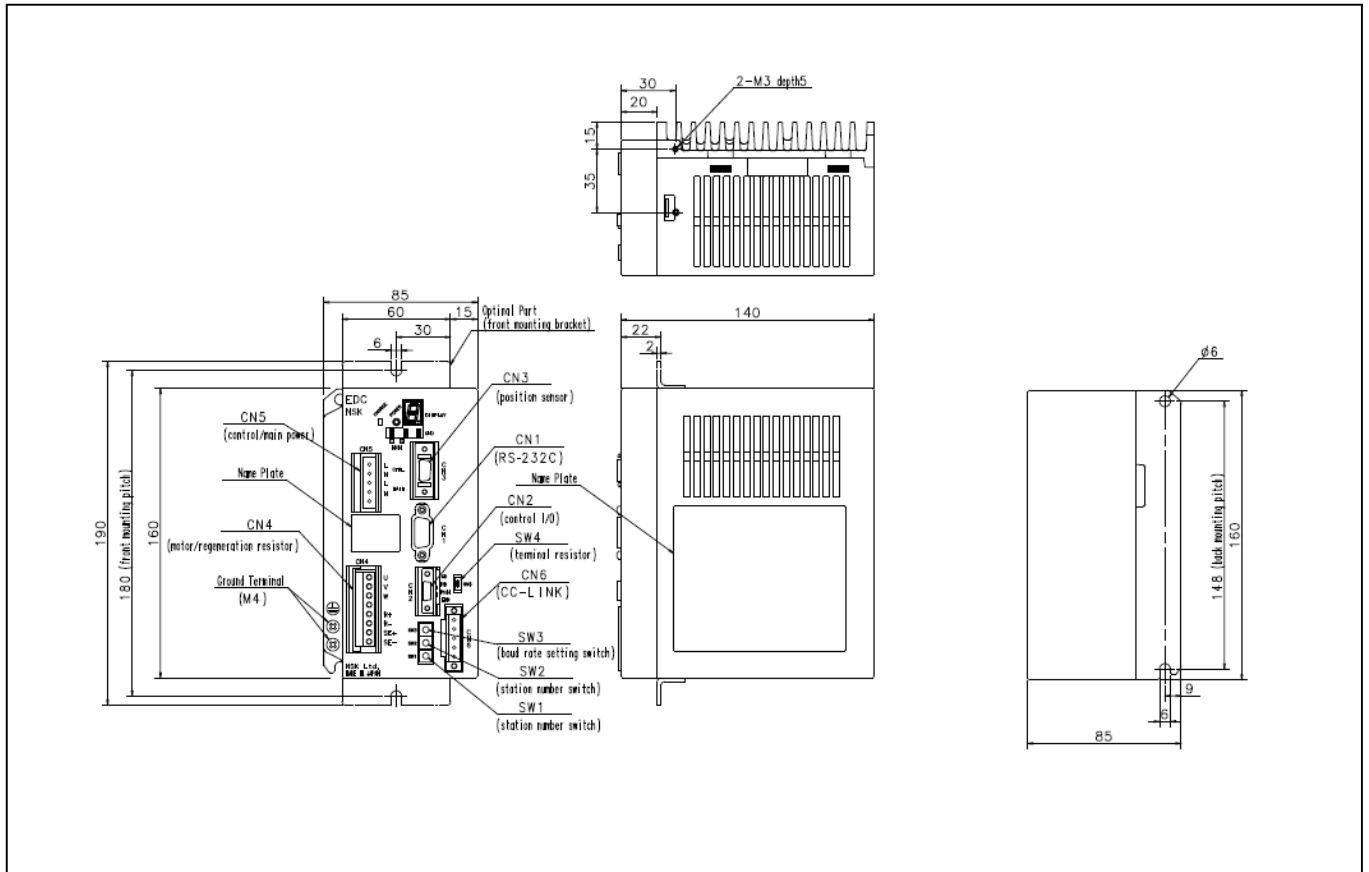


Fig. 6-7 EDC Driver Unit for PN3045, PN4135 and PN4180 Megatorque Motors

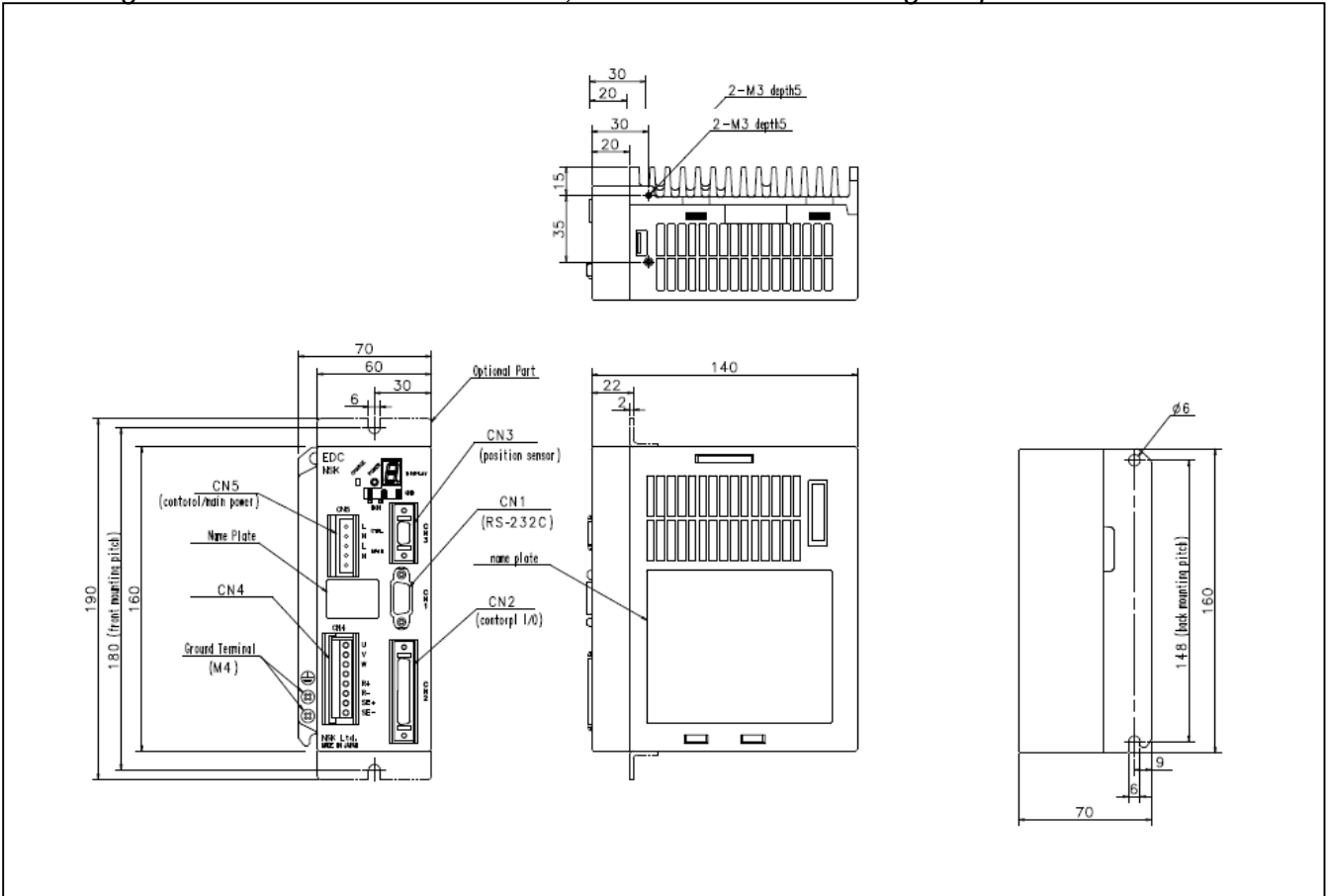
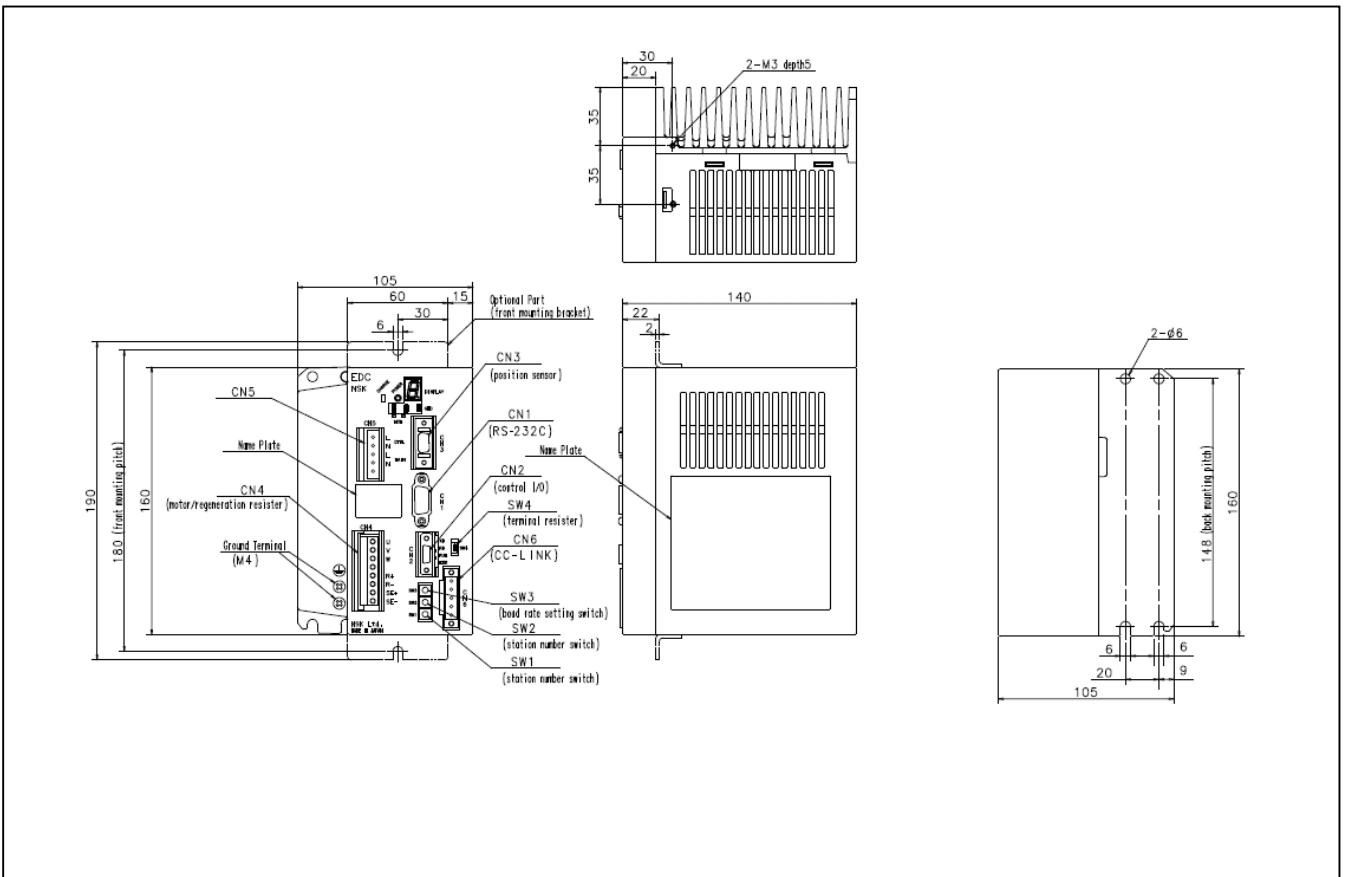


Fig. 6-8 CC-Link Compatible EDC Driver Unit for PN3045, PN4135 and PN4180 Megatorque Motors



7. Driver Unit Specifications

Table 7-1: EDC Driver Unit

Item		PN2012	PN3045	PN4135	PN4180
Output current	Rated output [Arms]	1.2	4.5	4.5	4.5
	Maximum output [Arms]	6.5	14.9	14.9	14.9
Power input	Rated capacity [kVA]	0.1	0.5	0.9	1.1
	Max. capacity [kVA]	2.1	4.4	5.0	5.1
	Control power source	Single phase 100 to 115 [VAC] Single phase 200 to 230 [VAC] Fluctuation of voltage:±10[%] or less		Single phase 200 to 230 [VAC] Fluctuation of power voltage: ±10[%]	
	Main power source				
Position sensor resolution [count/rev]		2 621 440			
Maximum velocity [s ⁻¹]		2	3		
Positioning operation mode		Program operation (256 channels), Pulse train input, RS-232C serial communication command, Jog, Home Return			
Input signal	Pulse train command	Photo coupler input: Maximum pulse frequency: 1 [MHz] Input format: CW/CCW, Pulse and direction, ΦA/ΦB Electronic gear A/B multiple available (1 000 to 5 242 880 [count/rev])			
	Control input	Photo coupler input (±Common available), 17 input ports, 24 [V] input voltage Emergency stop, Alarm clear, Over travel limit +/-, Servo ON, Program operation start, Stop, Internal program 内 channel switching (0 to 7), Jog, Jog direction, (Hold, Velocity override, Integration OFF, Home return start and Home position limit)* ¹			
Output signal	Position feedback signal	Signal format: ΦA/ΦB/ΦZ line drive, Free resolution setting to ΦA/ΦB available. Resolution of ΦA/ΦB: • Shipping set: 20 480 [count/rev.] (Quadrupled: 81 920 [count/rev]) • Maximum 1 310 720 [count/rev] (Quadrupled: 5 242 880 [Count/rev]) * The maximum signal frequency is limited to 781 [kHz] and thus the setting of resolution limits the maximum revolution speed. (Maximum speed: [s ⁻¹] = 781 [kHz]/Resolution of ΦA [or ΦB] Resolution of ΦZ: 80 [count/rev]			
	Control output	Photo coupler output (±Common available), 7 output ports. Maximum switching capacity: 24 [VDC]/50 [mA] Driver unit ready, Warning, Over travel limit detection +/- direction, Servo state, Busy, In-position, Target proximity A (Target proximity B, Zone A•B•C, Travel limit +/-, Normal, Position error under/over, Velocity error under/over, Torque command under/over, Thermal loading under/over, Home return complete, Home position defined)* ¹			
Alarm		Excess error, Program error, Automatic tuning error, Position command/Feedback error, Field bus warning, Software thermal error, Home position undefined, Main AC line under voltage, Travel limit over, RAM error, ROM error, System error, Interface error, ADC error, Emergency stop, CPU error, Fieldbus error, Position sensor error, Absolute position error, Motor cable disconnected, Excess velocity, Resolver excitation amplifier alarm, Commutation error, Overheat, Main AC line over voltage, Excess current, Control AC line under voltage, Power module error			
Monitors		Analog monitor ×2 (Free range and offset setting), RS-232C monitor			
Communication		RS-232C serial communication (Asynchronous, 9 600 [bps])			
Data backup		EEPROM (Overwriting and deleting of parameters are limited to 100 000 times.)			
Others		• Automatic tuning • Function setting to Input/Output port • Temporal parameter setting by a program operation. • Individual setting of acceleration and deceleration • Acceleration profiling (Modified sine, Modified trapezoid, Cycloid and Half sine)			
Fieldbus		CC-Link Ver.1.10 compatible (Optional EDC Driver Unit compatible to CC-Link is required.)			
Environment	• Ambient temperature • Storage temperature	• Ambient temperature: 0 to 50[°C] • Storage temperature -20 to 70[°C]			
	Ambient/storage humidity	90[%] or less (No condensation)			
	Vibration resistance	4.9 [m/s ²]			
Built-in function	Regeneration	Optional dump resistor available when the regeneration current is beyond the capacity of built-in resistor. (M-E014DCKR1-100, M-E014DCKR1-101) • Connect to R+,R-,SE+ and SE-. (Never short-circuit them.)			
	Dynamic brake	Functions at the state of Power-off, Servo-off and Warning. The command KB terminates the dynamic brake function. (Refer to “9.2. Glossary of Command and parameter.”)			
Compatible safety regulation	UL	UL508C			
	CE Marking	LVD	EN50178		
		EMC	EMI : EN55011EMS : EN61000-6-2		
Connectors	RS-232C	CN1	D-sub 9 pins		
	Control I/O	CN2	Standard: half pitch connector 50 pins CC-Link compatible: Half pitch 10 pins		
	Position sensor	CN3	Half pitch connector 14 pins		
	Motor/Optional dump resistor	CN4	Plastic connector (UL and CE qualified)		
	Control/Main power	CN5	Plastic connector (UL and CE qualified)		
	CC-Link	CN6	Plastic connector 5 pins		
Mass [kg]		Standard: 1.1 CC-Link compatible: 1.3		Standard: 1.8 CC-Link compatible: 2.0	

*1: These functions become effective by changing some functional allocation of control Input/Output.


8. Installation

8.1. Environmental Conditions of Motor


- Use the Motor in the indoor conditions free from dust and corrosive gas.
- The operating ambient temperature of the Motor shall be 0 to 40°C.
- The PN type Megatorque Motors are neither dust-proof nor waterproof.
Do not expose the Motor to water or oil from any source.
- It is essential to securely fix the Motor to a mounting base of which rigidity is sufficient enough. .
Otherwise, mechanical resonance may occur.

 **Warning :** *When fixing the Motor, use bolt holes on its bottom.*

- The flatness of the mounting surface for the Motor shall be 0.02 mm or less.
- The Motor can be mounted vertically or horizontally.


 **Caution:** *Do not connect the outgoing lines of the Motor cable and resolver cable of the PN2012 type Motor to a moving part. The bending radius of the outgoing lines shall be 30 mm or less.*

8.2. Coupling a Load to the Motor

 **Warning :** *Fix the load using the bolt holes on the rotor surface. Be sure to fasten the bolts firmly.*

- The table bellow shows the tightening torque of bolt and thread depth for each Motor type.

Motor type	PN2012	PN3045	PN4135	PN4180
Tightening torque [N·m]	5.3 to 6.5	7.8 or less	20 or less	20 or less
Thread depth [mm]	5 to 6.5	6 to 7.5	10 to 11.5	10 to 11.5

 **Caution:** *When using the pinhole on the rotor, please follow the notes below.*

- Set the tolerance of pin diameter to a lose fit.
- Do not apply excessive load or shock to the Motor when inserting the pin to the pinhole.
- The pinhole is simply for positioning of a load to the Motor. Do not use the pinhole to support the load.

8.3. Confirmation of Use Conditions

- In case of the Megatorque Motor system, the moment of inertia of load is extremely higher than that of the rotor. The table bellow shows the allowable moment of inertia for each Motor type.

Table 8-1 : Allowable moment of inertia for Motor

Motor type	Moment of inertia of the rotor [kg·m ²]	Allowable moment of inertia [kg·m ²]
PN2012	0.0024	0.24
PN3045	0.011	0.77
PN4135	0.057	3.99
PN4180	0.065	4.55



Caution: Be sure to confirm the allowable moment load and axial load to the Motor under the use conditions.

- Please refer to “5. Motor Specifications” for the allowable moment load and axial load for each Motor.

Appendix 1: How to Check Motor Condition

- Examine the resistance and the insulation resistance of the Motor winding to check if the Motor is in normal condition. It can be regarded as it is normal if all check results are within the specifications.
- First, check the winding resistance including the Motor cable. If the result is not satisfactory, check the Motor only.

1. Resistance check of Motor winding

Fig A-1: Check with the cable set

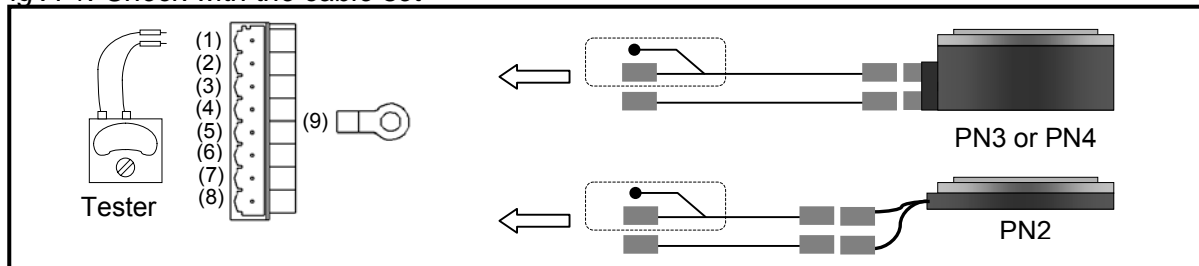
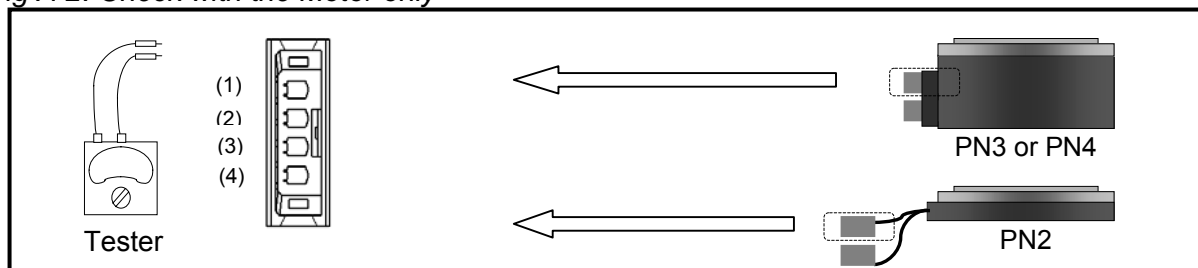


Fig A-2: Check with the Motor only



- Do not turn the rotor while checking the Motor winding.

Table A-1: Checking points

	Cable connector	Motor connector	Result
Phase UV	(1) ↔ (2) (U) (V)	(1) ↔ (2) (U) (V)	
Phase VW	(2) ↔ (3) (V) (W)	(2) ↔ (3) (V) (W)	
Phase WU	(3) ↔ (1) (W) (U)	(3) ↔ (1) (W) (U)	

Table A-2: Resistance specification of Motor winding

Motor type	Winding resistance [Ω]	Specification
PN2012	15.2	1. $\pm 30\%$ of the value in the left 2. Variation between each phase UV, VW, and WU is less than 15%
PN3045	1.9	
PN4136	2.6	
PN4180	3.2	

- Please ask NSK for a Motor with special winding specifications or a Cable longer than 4 m.

2. Resistance check of the resolver winding

Fig A-3: Check with the Cable set

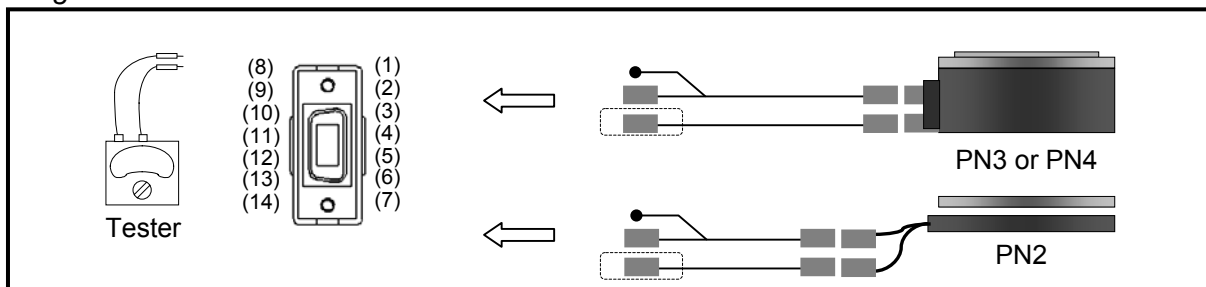


Fig A-4: Check with the Motor only

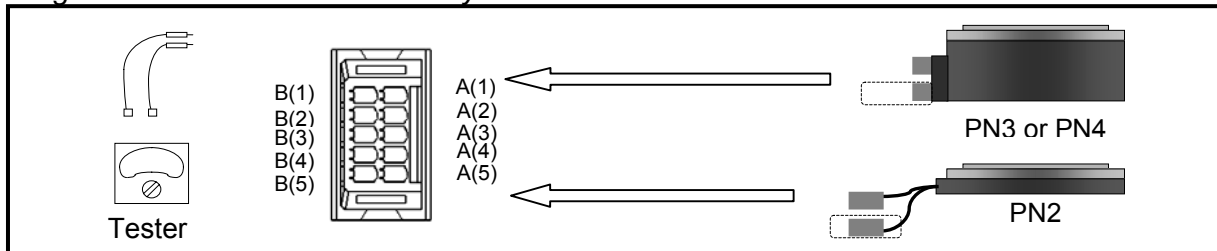
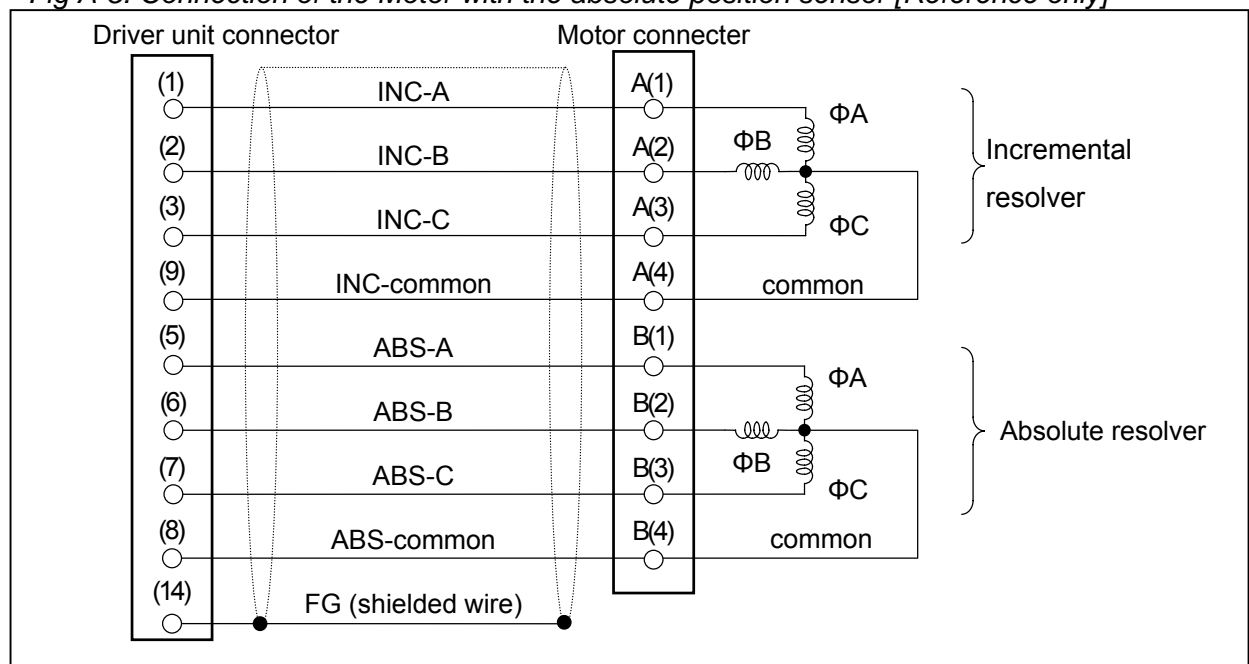


Table A-3: Checking points of the resolver with an absolute position sensor and winding resistance


	Cable connector	Motor connector	Result	Specification
INC-A	(1) ↔ (9) (INC-A) (INC·COM)	A(1) ↔ A(4) (INC-A) (INC·COM)		1. Resistance • PN2012: $7.7 \pm 1 \Omega$ • PN3 and PN4: $9.8 \pm 1 \Omega$ 2. Variation between each phase A, B and C shall be 1.0Ω or less.
INC-B	(2) ↔ (9) (INC-B) (INC·COM)	A(2) ↔ A(4) (INC-B) (INC·COM)		
INC-C	(3) ↔ (9) (INC-C) (INC·COM)	A(3) ↔ A(4) (INC-C) (INC·COM)		
ABS-A	(5) ↔ (8) (ABS-A) (ABS·COM)	B(1) ↔ B(4) (ABS-A) (ABS·COM)		1. Resistance • PS1 type: $8.3 \pm 1 \Omega$ • PS3 type: $9.8 \pm 1 \Omega$ 2. Variation between each phase A, B and C shall be 1.0Ω or less.
ABS-B	(6) ↔ (8) (ABS-B) (ABS·COM)	B(2) ↔ B(4) (ABS-B) (ABS·COM)		
ABS-C	(7) ↔ (8) (ABS-C) (ABS·COM)	B(3) ↔ B(4) (ABS-C) (ABS·COM)		

* Please ask NSK for the specifications of the Motor with special winding, and the Cable longer than 4 [m].

Fig A-5: Connection of the Motor with the absolute position sensor [Reference only]



3. Insulation resistance check of Motor winding

 **Caution:** Disconnect the Motor from the Driver Unit when checking insulation resistance of the Motor.

 **Caution:** Checking voltage must be 500[VDC] or less.

Fig A-6: Check with the Cable

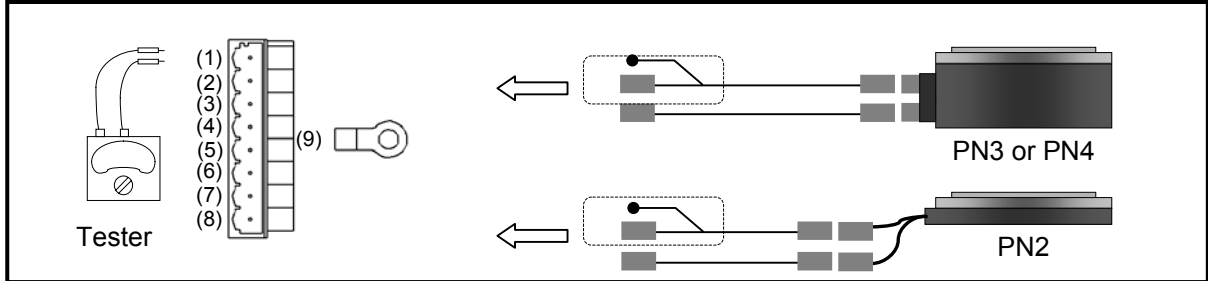


Fig A-7: Check the Motor only

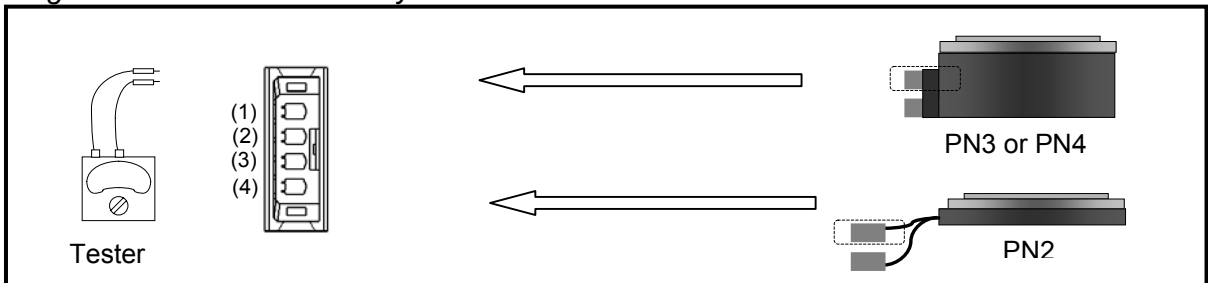


Table A-4: Checking point

	Cable connector	Motor connector	Result
$\phi U - PE$	(1) ↔ (9) (U) (PE)	(1) ↔ (4) (U) (PE)	
$\phi V - PE$	(2) ↔ (9) (V) (PE)	(2) ↔ (4) (V) (PE)	
$\phi W - PE$	(3) ↔ (9) (W) (PE)	(3) ↔ (4) (W) (PE)	

Table A-5: Specification of insulation resistance (Common to all type of Motor)

	Specification
With cable	1 [MΩ] or over
Motor only	2 [MΩ] or over

4. Visual check of the Motor and the Cables

- Check the Motor for any damage.
- Check the cable for any damage on the cable insulation.

(Blank Page)

MEGATORQUE® MOTOR SYSTEM

PN Motor Series

EDC Driver Unit

User's Manual

Document Number: C20169-03

Nov 1, 2007

1st Edition

Sep 30, 2009

2nd Edition

Mar 1, 2012

3rd Edition

NSK Ltd.



Worldwide Sales Offices

NSK LTD.-HEADQUARTERS, TOKYO, JAPAN www.nsk.com
 INDUSTRIAL MACHINERY BUSINESS DIVISION-HEADQUARTERS tel: 03-3779-7227
 GLOBAL AFTERMARKET DEPARTMENT tel: 03-3779-7253
 PRECISION MACHINERY DEPARTMENT tel: 03-3779-7163
 MECHATRONICS BUSINESS DEPARTMENT tel: 0466-21-3027
 AUTOMOTIVE BUSINESS DIVISION-HEADQUARTERS tel: 03-3779-7189

Africa

South Africa:

NSK SOUTH AFRICA (PTY) LTD.
 Johannesburg tel: 011-458-3600

Asia and Oceania

Australia:

NSK AUSTRALIA PTY. LTD. www.au.nsk.com
 Melbourne tel: 03-9765-4400

China:

NSK HONG KONG LTD.

Hong Kong tel: 02739-9933
 Shenzhen tel: 0755-25904886

KUNSHAN NSK CO., LTD.

Kunshan tel: 0512-5771-5654

CHANGSHU NSK NEEDLE BEARING CO., LTD.

Jiangsu tel: 0512-5230-1111

NSK STEERING SYSTEMS DONGGUAN CO., LTD.

Dongguan tel: 0769-2262-0960

NSK (CHINA) RESEARCH & DEVELOPMENT CO., LTD.

Jiangsu tel: 0512-5796-3000

NSK (SHANGHAI) TRADING CO., LTD.

Jiangsu tel: 0512-5796-3000

NSK (CHINA) INVESTMENT CO., LTD.

Jiangsu tel: 0512-5796-3000

Beijing tel: 010-6590-8161

Tian Jin tel: 022-8319-5030

Changchun tel: 0431-8898-8682

Shenyang tel: 024-2334-2868

Dalian tel: 0411-8800-8168

Nanjing tel: 025-8472-6671

Guangzhou tel: 020-3786-4833

Changsha tel: 0731-8571-3100

Luoyang tel: 0379-6069-6188

Xi'an tel: 029-8765-1896

Chongqing tel: 023-6806-5310

Chengdu tel: 028-8528-3680

NSK CHINA SALES CO., LTD.

Jiangsu tel: 0512-5796-3000

India:

RANE NSK STEERING SYSTEMS LTD.

Chennai tel: 044-474-06017

NSK INDIA SALES CO. PVT. LTD.

Chennai tel: 044-2847-9600

Gurgaon tel: 0124-4104-530

Kolkata tel: 033-4001-2062

Mumbai tel: 022-2838-7787

NSK-ABC BEARINGS LTD.

Chennai tel: 044-2714-3000

Indonesia:

PT. NSK INDONESIA www.id.nsk.com

Jakarta tel: 021-252-3458

Korea:

NSK KOREA CO., LTD. www.kr.nsk.com

Seoul tel: 02-3287-0300

Changwon tel: 055-287-6001

Malaysia:

NSK BEARINGS (MALAYSIA) SDN.BHD. www.my.nsk.com

Shah Alam tel: 03-7803-8859

New Zealand:

NSK NEW ZEALAND LTD. www.nz.nsk.com

Auckland tel: 09-276-4992

Philippines:

NSK REPRESENTATIVE OFFICE

Manila tel: 02-893-9543

Singapore:

NSK INTERNATIONAL (SINGAPORE) PTE LTD.

Singapore tel: 6496-8000

NSK SINGAPORE (PRIVATE) LTD. www.nsk-singapore.com.sg

Singapore tel: 6496-8000

Taiwan:

TAIWAN NSK PRECISION CO., LTD.

Taipei tel: 02-2509-3305

TAIWAN NSK TECHNOLOGY CO., LTD.

Taipei tel: 02-2509-3305

Thailand:

NSK BEARINGS (THAILAND) CO., LTD.

Bangkok tel: 02320-2555

SIAM NSK STEERING SYSTEMS CO., LTD.

Chachoengsao tel: 038-522-343

NSK ASIA PACIFIC TECHNOLOGY CENTER (THAILAND) CO., LTD.

Chonburi tel: 038-454-631

Vietnam:

NSK VIETNAM CO., LTD.

Hanoi tel: 04-3955-0159

NSK REPRESENTATIVE OFFICE

Ho Chi Minh City tel: 08-3822-7907

Europe

NSK EUROPE LTD. (EUROPEAN HEADQUARTERS) www.eu.nsk.com

Maidenhead tel: 01628-509-800

France:

NSK FRANCE S.A.S.

Paris tel: 01-30-57-39-39

Germany:

NSK DEUTSCHLAND GMBH

Düsseldorf tel: 02102-4810

Italy:

NSK ITALIA S.P.A.

Milano tel: 0299-5191

Poland:

NSK EUROPE LTD. WARSAW LIAISON OFFICE

Warsaw tel: 022-645-1525

NSK EUROPEAN TECHNOLOGY CENTER, POLAND OFFICE

Kielce tel: 041-367-0940

NSK STEERING SYSTEMS EUROPE (POLSKA) SP.ZO.O.

Walbrzych tel: 074-664-4101

NSK NEEDLE BEARING POLAND SP.ZO.O.

Kielce tel: 041-345-2469

NSK POLSKA SP.ZO.O.

Kielce tel: 041-347-5110

Spain:

NSK SPAIN S.A.

Barcelona tel: 093-433-5775

Turkey:

NSK RÜLMANLARI ORTA DOGU TIC. LTD. STI.

Istanbul tel: 0216-355-0398

United Kingdom:

NSK EUROPEAN TECHNOLOGY CENTRE

Newark tel: 01636-605-123

NSK UK Ltd.

Newark tel: 01636-605-123

NSK PRECISION UK LTD.

Newark tel: 01636-605-123

NSK STEERING SYSTEMS EUROPE LTD.

Maidenhead tel: 01628-509-800

North and South America

NSK AMERICAS, INC. (AMERICAN HEADQUARTERS)

Ann Arbor tel: 734-913-7500

Argentina:

NSK ARGENTINA SRL

Buenos Aires tel: 11-4704-5100

Brazil:

NSK BRASIL LTDA. www.br.nsk.com

São Paulo tel: 011-3269-4786

Canada:

NSK CANADA INC. www.ca.nsk.com

Toronto tel: 905-890-0740

Mexico:

NSK RODAMIENTOS MEXICANA, S.A. DE C.V. www.mx.nsk.com

Mexico City tel: 55-3682-2900

United States of America:

NSK CORPORATION www.us.nsk.com

Ann Arbor tel: 734-913-7500

NSK AMERICAN TECHNOLOGY CENTER

Ann Arbor tel: 734-913-7500

NSK PRECISION AMERICA, INC. www.npa.nsk.com

Franklin tel: 317-738-5000

NSK STEERING SYSTEMS AMERICA, INC. www.nssa.nsk.com

Bennington tel: 802-442-5448

NSK LATIN AMERICA, INC. www.la.nsk.com

Miami tel: 305-477-0605

<As of August 2011>

For the latest information, please refer to the NSK website.

NSK Ltd. has a basic policy not to export any products or technology designated as controlled items by export-related laws. When exporting the products in this brochure, the laws of the exporting country must be observed. Specifications are subject to change without notice and without any obligation on the part of the manufacturer. Every care has been taken to ensure the accuracy of the data contained in this brochure, but no liability can be accepted for any loss or damage suffered through errors or omissions. We will gratefully acknowledge any additions or corrections.

For more information about NSK products, please contact: _____